

>>>

>>>Door Trims&Accessories

>>>

Hardwood Door Control Tech (Ningbo) Co., Ltd.



Door Pulls
No. HPA001, HPA002



Material: Aluminum, Brass,Stainless Steel
Finishes: Available in standard architectural finishes
Fastener: 1/4 -20 x 2 1/4 Thru Bolt & Finish Washer

No.	Material Size	CTC	Projection	Clearance
HPA001-5 1/2	0.625" dia.	5.5"	2"	1.375"
HPA002-5 1/2	0.75" dia.	5.5"	2.25"	1.5"
HPA002-6	0.75" dia.	6"	2.25"	1.5"
HPA002-8	0.75" dia.	8"	2.25"	1.5"
HPA002-10	0.75" dia.	10"	2.25"	1.5"

Door Pulls
No. HPA005, HPA006



Material: Aluminum, Brass,Stainless Steel
Finishes: Available in standard architectural finishes
Fastener: 1/4 -20 x 2 1/4 Thru Bolt & Finish Washer

No.	Material Size	CTC	Projection	Clearance
HPA005-8	1" dia.	8"	2.5"	1.5"
HPA005-10	1" dia.	10"	2.5"	1.5"
HPA005-12	1" dia.	12"	2.5"	1.5"
HPA006-8	1" dia.	8"	3.5"	2.5"
HPA006-10	1" dia.	10"	3.5"	2.5"
HPA006-12	1" dia.	12"	3.5"	2.5"
HPA005-28 *	1" dia.	28"	2.5"	1.5"
HPA005-33 *	1" dia.	33"	2.5"	1.5"

Door Pulls
No. HPA003



Material: Aluminum, Brass,Stainless Steel
Finishes: Available in standard architectural finishes
Fastener: 1/4 -20 x 2 1/4 Thru Bolt & Finish Washer

No.	Base	CTC	Projection	Clearance
HPA003A	1" dia.	5.5"	1.81"	1.25"
HPA003C	1" dia.	5.25"	1.81"	1.25"

Door Pulls
No. HPA007



Material: Aluminum, Brass,Stainless Steel
Finishes: Available in standard architectural finishes
Fastener: 1/4 -20 x 2 1/4 Thru Bolt & Finish Washer

No.	Material Size	CTC	Projection	Clearance
HPA007-6	1" x 0.39"	6"	2"	1.61"
HPA007-8	1" x 0.39"	8"	2"	1.61"
HPA007-10	1" x 0.39"	10"	2"	1.61"

Door Pulls
No. HPA004



Material: Aluminum, Brass,Stainless Steel
Finishes: Available in standard architectural finishes
Fastener: 1/4 -20 x 2 1/4 Thru Bolt & Finish Washer

No.	Material Size	CTC	Projection	Clearance
HPA004-6	1" half round	6"	2"	1.52"
HPA004-8	1" half round	8"	2"	1.52"
HPA004-10	1" half round	10"	2"	1.52"

Door Pulls
No. HPA008



Material: Aluminum, Brass,Stainless Steel
Finishes: Available in standard architectural finishes
Fastener: 1/4 -20 x 2 1/4 Thru Bolt & Finish Washer

Material Size	CTC	Projection	Clearance
1" half round	5.5"	1.88"	1.37"

Door Pulls
No. HPA009,
HPA010



Material: Brass, Aluminium
 Finishes: Available in standard architectural finishes
 Fastener: 1/4 -20 x 2 1/2 Thru Bolt & Finish Washer

No.	Base	CTC	Projection	Clearance
HPA009	2" dia.	5.5"	1.87"	1.31"
HPA010	3" dia.	7.5"	1.87"	1.31"

Barrier Free Flush Pulls
No. HPA012, HPA012L



Material: Stainless Steel
 Finishes:US32, US32D
 Fastener: No. HPA012: #8 x 7/8 SMS
 No.HPA012L: 10-24 Stud Welded Lugs and 10-24 Thru Bolts

No.	Material Size	Size	Opening	Depth
HPA012	0.125"	5" x 5"	2 1/2" x 3 1/2"	7/8"
HPA012L	0.125"	5" x 5"	2 1/2" x 3 1/2"	7/8"

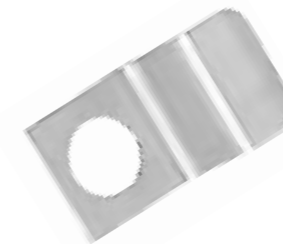
Offset Door Pulls
No. HPA011



Material: Aluminum, Brass,Stainless Steel
 Finishes: Available in standard architectural finishes
 Fastener: 1/4 -20 x 2 1/4 Thru Bolt & Finish Washer

No.	Material Size	CTC	Projection	Offset
HPA011-8	1" dia.	8"	3.3"	4.25"
HPA011-10	1" dia.	10"	3.3"	4.25"
HAP011-12	1" dia.	12"	3.3"	4.25"
HPA011-18	1" dia.	18"	3.3"	4.25"

Cylinder Pulls
No. HPA013



Material: Stainless Steel
 Finishes:US32, US32D
 Fastener: Cylinder ring and self-adhesive mounting

Material Size	Size	Opening	Projection
0.125"	2" x 3.75"	1.25dia.	1"

Cylinder Pulls
No. HPA014



Material: Brass
 Finishes: Available in standard architectural finishes
 Fastener: Cylinder ring and self-adhesive mounting

Material Size	Size	Opening	Projection
0.125"	2" x 3.75"	1.25dia.	1"

**Flush Pulls
No. HPA015**



Material: Brass, Stainless Steel
 Finishes: Available in standard architectural finishes. Fastener: 2 ea. #5 x 3/4 OH WS

Size	CTC	Projection
1050" x 4.0"	4.53"	0.47"

**Pocket Door Pull
No. HPA017, HPA018**



No. HPA017

Material: Brass
 Finishes: US3,US4,US5,US15,US26,US26D
 Fastener: 2 ea. #6 x 1/2 OH SMS
 2 ea. #5 x 3/4 OH SMS



No.HPA018

No.	Size
HPA017	2.73"w x 2.48"h
HPA018	2.73"w x 2.48"h

**Flush Pulls
No. HPA016**



Material: Cast Zinc Alloy
 Finishes: US3,US4,US5,US15,US26,US26D.
 Fastener: 2 ea. #6 x 3/4 OH WS

Size	CTC	Projection
1.54" x 6.10"	4.53"	0.55"

**Door Handle
No.HPA019, HPA020, HPA021**



No. HPA019



No. HPA020



No. HPA021

Material: Aluminum
 Finishes: US28, Covered with white paint
 Fastener: 8 ea. #6 x 3/4 OH WS

No.	Plate Size	Handle Size	Projection
HPA019	6.10" x 0.43"dep	4.04" x 1.34"h	1.77"
HPA020	6.02" x 0.43"dep	4.04" x 1.42"h	1.85"
HPA021	4.07" x 0.43"dep	4.04" x 1.42"h	1.85"

**Cast Lever Edge Pull
No. HPA022**



Material: Cast Brass
 Finishes: Available in standard architectural finishes
 Fastener: 2 ea. #6 x 3/4 FH SMS

Size
 3.86" x 0.75"

**Solid Wire Pull
No. HPA023, HPA024, HPA025**



Material: Brass, Stainless Steel
 Finishes: Available in standard architectural finishes
 Fastener: 8-32x1 3/4 TH MS

No.	Material	Size	CTC	Projection
HPA023	0.32" dia.	3"	1.39"	
HPA024	0.32" dia.	3.5"	1.39"	
HPA025	0.32" dia.	4"	1.39"	

**Ball Knob No.
HPA026, HPA027**



No. HPA026

No. HPA027

Material: Cast Brass
 Finishes: Available in standard architectural finishes
 Fastener: 8-32x1 TH MS

No.	Base	Knob	Projection
HPA026	0.43" dia.	0.62" dia.	0.54"
HPA027	0.44" dia.	0.94" dia.	0.85"

**Ball Knob
No. HPA028**



Material: Cast Brass
 Finishes: Available in standard architectural finishes
 Fastener: 8-32x1 TH MS

Base	Knob	Projection
0.43" dia.	0.59" dia.	0.59"

**Ball Knob
No. HPA029**



Material: Stainless steel
 Finishes: US32D
 Fastener: 8-32x1 TH MS

Base	Knob	Projection
0.79" dia.	1.18" dia.	1.41"

**Cone Knob
No. HPA030**



Material: Stainless steel
 Finishes: US32D
 Fastener: 8-32x1 TH MS

Base	Knob	Projection
0.59" dia.	1.41" dia.	1.18"

Push Plates

No. HPB101, HPB102, HPB103



Material: 0.05" Aluminum, Brass, Stainless Steel
 Finishes: Available in standard architectural finishes
 Fastener: #6 x 1/2 OH SMS

No.	Size	Depth
HPB101	3.0"X12"	0.05"
HPB102	3.5"X15"	0.05"
HPB103	4"X16"	0.05"

Pull and Plates

No. HPB108, HPB109



Material: Aluminum, Brass, Stainless Steel
 Fastener: #6 x 1/2 OH SMS; 5/16-18 Metal Nut
 10-32 *2 1/4 Thru Bolt & Finish Washer

No.	Pull	CTC	Plate Size
HPB108	No. HPA003A	5.5"	3.5"X15"x0.05"
HPB109	No. HPA003A	5.5"	4"X16X0.05"

Pull and Plates

No. HPB104, HPB105



Material: Aluminum, Brass, Stainless Steel
 Finishes: Available in standard architectural finishes
 Fastener: #6 x 1/2 OH SMS; 5/16-18 Metal Nut
 10-32 *2 1/4 Thru Bolt & Finish Washer

No.	Pull	CTC	Plate Size
HPB104	HPA002-6	6"	3.5"X15"x0.05"
HPB105	HPA002-8	8"	4"X16X0.05"

Pull and Plates

No. HPB110, HPB111



Material: Aluminum, Brass, Stainless Steel
 Fastener: #6 x 1/2 OH SMS; 5/16-18 Metal Nut
 10-32 *2 1/4 Thru Bolt & Finish Washer

No.	Pull	CTC	Plate Size
HPB110	No. HPA004-6	6"	3.5"X15"x0.05"
HPB111	No. HPA004-8	8"	4"X16X0.05"

Pull and Plates

No. HPB106, HPB107



Material: Aluminum, Brass, Stainless Steel
 Finishes: Available in standard architectural finishes
 Fastener: #6 x 1/2 OH SMS; 5/16-18 Metal Nut
 10-32 *2 1/4 Thru Bolt & Finish Washer

No.	Pull	CTC	Plate Size
HPB106	HPA005-8	8"	3.5"X15"x0.05"
HPB107	HPA005-10	10"	4"X16X0.05"

Kick Plates

No. HPB112, HPB113, HPB114, HPB115, HPB116



Material: Aluminum, Brass, Stainless Steel
 Finishes: Available in standard architectural finishes
 Fastener: #6 x 3/4 OH SMS

No.	Size	Depth
HPB112	6"x22"	0.05"
HPB113	6"x34"	0.05"
HPB114	8"x 16"	0.05"
HPB115	8"x34"	0.05"
HPB116	10"x34"	0.05"

**Wall Stops
No. HSC201**



Material: Brass, Bronze, Stainless Steel with TPR Bumper
 Finishes: Available in standard architectural finishes
 Fastener: #8 x 1 1/4 TH SMS, plastic toggle

Base	Projection
2.5" dia.	0.75"

**Door Stops
No. HSC204**



Material: Cast Brass with Rubber Bumper
 Finishes: Available in standard architectural finishes
 Fastener: #12 x 1 1/4 TH SMS, plastic anchor

Base	Projection
3.79" dia x 0.25"h	1.28"

**Wall Stops
No. HSC202**



Material: Brass, Bronze, Stainless Steel with TPR Bumper
 Finishes: Available in standard architectural finishes
 Fastener: #8 x 1 1/4 TH SMS, plastic toggle

Base	Projection
2.5" dia.	0.75"

**Door Stops
No. HSC205**



Material: Cast zinc alloy with rubber bumper
 Finishes: US3, US15, US26D
 Fastener: #8 x 1 TH SMS, plastic anchor

Base	Projection
1.77" dia. x 0.23"h	1.48"

**Wall Stops
No. HSC203**



Material: Brass with Rubber Bumper
 Finishes: Available in standard architectural finishes
 Fastener: #8 x 1 TH SMS, plastic anchor

Base	Projection
1" dia.	0.55"

**Door Stops
No. HSC206**



Material: Cast zinc alloy with rubber bumper
 Finishes: US3, US15, US26D
 Fastener: #8 x 1 TH SMS, plastic anchor

Base	Projection
1.75" dia. x 0.14"h	1.49"

**Door Stop
No. HSC207**



Material: Cast zinc alloy with rubber bumper
 Finishes: US3,US15,US26D
 Fastener: #8 x 1 TH SMS, plastic anchor

Base	Projection
1.54" dia.	0.93"

**Door Stop
No. HSC210**



Material: Cast Brass with Rubber Bumper
 Finishes: Available in standard architectural finishes
 Fastener: #12 x 1 1/4 FH WS, plastic anchor

Base	Height
2.64" x 1.80"	1.65"

**Door Stop
No. HSC208**



Material: Cast Brass with Rubber Bumper
 Finishes: Available in standard architectural finishes
 Fastener: #12 x 1 1/4 TH SMS, plastic anchor

Base	Projection
1.79" dia.x0.42"h	1.50.

**Door Stop
No. HSC211**



Material: Cast zinc alloy with rubber bumper
 Finishes: US3,US15,US26,US26D
 Fastener: #10 x 1 FH WS, plastic anchor

Base	Height
1.66" x 1.33"	1.4"

**Door Stop
No. HSC209**



Material: Cast Brass with Rubber Bumper Finishes:
 Available in standard architectural finishes Fastener:
 #12 x 1 1/4 TH SMS, plastic anchor

Base	Projection
1.87" dia.x0.22"h	1.68"

**Door Stop
No. HSC212**



Material: Cast Brass with Rubber Bumper.
 Finishes: Available in standard architectural finishes
 Fastener: 8-32 x 1 1/4" hanger bolt

No.	Base	Projection
HSC212-3	1"dia.	3"
HSC212-4	1"dia.	4"

**Door Stop
No. HSC213**

Material: Cast zinc alloy with rubber bumper
 Finishes: US3,US15,US26,US26D
 Fastener: 8-32 x 1 1/4" hanger bolt



Base	Projection
1.16"dia.	2.53"

**Door Stop
No. HSC216**

Material: Aluminium
 Finishes: Brass, US28
 Fastener: #12 x 1 1/4 FH WS, plastic anchor



Base	Height
1.63"dia. X 0.32"	2.83"

**Door Stop
No. HSC214**

Material: Spring Steel
 Finishes: US3,US15,US26
 Fastener: 6 x 3/4" SMS



Base	Projection
0.94"dia.	3"

**Cylinder Door Stop
No. HSC217**

Material: Brass, Stainless Steel with rubber bumper
 Finishes: US3,US15,US26D
 Fastener: 8-32 x 1 1/4" hanger bolt



Base	Height
2.0"dia.	2.69"

**Door Stop
No. HSC215**

Material: Cast Brass with Rubber Bumper
 Finishes: Available in standard architectural finishes
 Fastener: #12 x 1 1/4 FH WS, plastic anchor



Base	Height
1.54"dia.	3"

**Door Stop
No. HSC218**

Material: Steel with rubber bumper
 Finishes: US3,US15,US26D
 Fastener: 8-32 x 1 1/4" hanger bolt



Base	Height
1.18"dia.	1.61"

**Door Stop
No. HSC219**



Material: Zinc Alloy with PVC ring
 Finishes: US3,US15,US26D
 Fastener: 8-32 x 1 1/4" hanger bolt

Base	Height
1.22"dia.	1.36"

**Door Stop
No. HSC220, HSC221**



Material: Brass,Stainless Steel with PVC ring
 Finishes: Available in standard architectural finishes
 Fastener: #12 x 1 1/2"WS, plastic anchor
 12-24 x 1 FH MS, lead anchor

No.	Base	Height
HSC220	1.25"dia.	1.5"
HSC221	1.25"dia.	2.5"

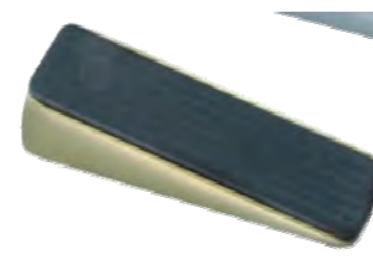
**Door Stop
No. HSC222**



Material: Steel with rubber bumper
 Finishes: US3,US15,US26D
 Fastener: 6 x 3/4" SMS

Base	Height
0.75"dia.	3"

**Door Stop
No. HSC223**



Material: Cast Zinc Alloy with rubber gasket
 Finishes: US3, US15,US26, US26D

Base	Height
4.72" x 1.26"	1.5"

**Door Stop
No. HSC224**



Material: Steel with rubber gasket
 Finishes: US15,US26,US26D

Base	Height
3.62"dia.	1.5"

**Door Stop
No. HSC225**



Material: Rubber
 Color: White, Black

Base	Height
3.62"dia.	1.2"

**Door Stop
No. HSC226**



Material: Cast Brass with Bumper
 Finishes: Available in standard architectural finishes
 Fastener: No.HSC226: #14 x 1 FH WS, plastic anchors
 No.HSC226GS ① #8 x 3/4 OH sms, plastic anchor
 ② 5/16 x 18 x 1 3/4 stud, lead anchor

No.	Base	Height
HSC226	2.37"x1.12"	2.15"
HSC226GS	2.37"x1.12"	2.15"

**Door Stop
No. HSC227**



Material: Cast Brass with Bumper
 Finishes: Available in standard architectural finishes
 Fastener: No.HSC227: #14 x 1 FH WS, plastic anchors
 No.HSC227GS ① #8 x 3/4 OH sms, plastic anchor
 ② 5/16 x 18 x 1 3/4 stud, lead anchor

No.	Base	Height
HSC227	2.65"x1.50"	2.85"
HSC227GS	2.65"x1.50"	2.85"

**Door Stop
No. HSC228**



Material: Cast Brass with Bumper
 Finishes: Available in standard architectural finishes
 Fastener: #14 x 1 FH WS, plastic anchors

Base	Height
2.13"dia.	3"

**Door Stop
No. HSC229**



Material: Cast Brass with Bumper
 Finishes: Available in standard architectural finishes
 Fastener: #14 x 1 FH WS, plastic anchors

Base	Height
2.0"dia.	3.57"

**Door Stop with Keeper
No. HSC230**



Material: Cast Brass with Bumper
 Finishes: Available in standard architectural finishes
 Fastener: 5/16 x 18 x 1 3/4 stud, lead anchor
 #8 x 3/4 OH sms, plastic anchor
 #14 x 1 FH WS, plastic anchors
 Other: Keeper size 1"w x 1 3/4"h

Base	Height
2.0"dia.	3.57"

**Door Stop with Keeper
No. HSC231**



Material: Cast Brass with Bumper
 Finishes: Available in standard architectural finishes
 Fastener: 5/16 x 18 x 1 3/4 stud, lead anchor
 #8 x 3/4 OH sms, plastic anchor
 #14 x 1 FH WS, plastic anchors
 Other: Keeper size 1"w x 1 3/4"h

Base	Height
2.13"dia.	3.57"

**Automatic Door Holder & Stop
No. HSC232**



Material: Cast Brass with Magnetic steel
 Finishes: Available in standard architectural finishes
 Fastener: #5 x 3/4 OH sms, plastic anchor

Base	Height
1.73"dia.	2.95"
1.16"dia.	0.89"

**Door Holders
No. HSC235**



Material: Solid Cast Brass with Bumper
 Finishes: Available in standard architectural finishes
 Fastener: #8 x 3/4" OH SMS

Base	Height
2" x 1.34"	5"

**Door Holder & Stop
No. HSC233**



Material: Cast Brass
 Finishes: Available in standard architectural finishes
 Fastener: 1/4-20x2 stud, lead anchor
 1/4-20 x 2" hanger bolt
 #8 x 1 OH sms, plastic anchor

Base	Height
1.73"dia.	1.34"
1.40"dia.	1.77"

**Door Holders
No. HSC236C, HSC236D**



HSC236C
HSC236D

Material: Solid Cast Brass with Bumper
 Finishes: Available in standard architectural finishes
 Fastener: #8 x 1 OH SMS

No.	Base	Height
HSC236C	1.85"x1.58"	4"
HSC236D	1.85"x1.58"	5"

**Door Holder
No. HSC234**



Material: Solid Cast Brass with Bumper
 Finishes: Available in standard architectural finishes
 Fastener: #8 x 3/4" OH SMS

Base	Height
2" x 1.34"	4"

**Door Holder
No. HSC237**



Material: Cast Zinc Alloy With Bumper
 Finishes: US3,US5,US15,US26
 Fastener: #8 x 1 OH SMS

Base	Height
1.84" x 1.59"	5"

**Flush Bolt
No. HBD301**



Material: Brass
 Finishes: Available in standard architectural finishes
 Fastener: 8 ea. #8 x 3/4 FH Combo Screws
 Features: • 3/4" bolt throw, 3/4" rod backset.
 • 10" rod length (center of face to bolt end - retracted)
 • 1 1/2" adjustable bolt head
 Options: • Other size rods available are 12", 18", 24", 36", 48"

Face Plate	Guide Size	Strike Size
1" x 6.75"	1" x 2"	0.94" x 2.25"

**Flush Bolt
No. HBD302**



Material: Brass
 Finishes: Available in standard architectural finishes
 Fastener: 7 ea. #8 x 3/4 FH Combo Screws
 2 ea. 8-32 x 3/10 FH MS
 Features: 3/4" bolt throw, 3/4" backset

Face Plate	Guide Size	Strike Size
1" x 6.75"	1" x 2"	0.94" x 2.25"

**Flush Bolt
No. HBD303, HBD303N, HBD303D**



No.HBD303 No.HBD303N No.HBD303D

Material: Brass
 Finishes: Available in standard architectural finishes
 Fastener: 3 ea. #6 x 3/4 FH SMS

No.	Face Plate	Bolt Size	Bolt Throw	Guides
HBD303	0.75" x 6"	0.5" dia.	0.94"	0.91" x 2"
HBD303N	0.75" x 6"	0.5" dia.	0.94"	0.91" x 2"
HBD303D	0.75" x 5"	0.5" dia.	0.75"	0.63" x 1.77"

**Flush Bolt
No. HBD304**



Material: Cast Brass
 Finishes: US3, US6
 Fastener: 2 ea. #6 x 3/4 FH SMS;
 2 ea. #6 x 1 1/4 FH SMS;

Face Plate	Bolt Size	Bolt Throw	Guides
0.75 x 7"	0.5" dia.	1.25"	0.65 x 1.52"

**Surface Bolt
No. HBD305**



Material: Steel,Stainless Steel
 Finishes: US26D,US32D
 Fastener:4 ea. #12 x 1 1/4 FH SMS, plastic anchor
 4 ea.12-24 x 1 FH MS

Bolt material	Bolt Length	Guides	Strike
0.25" x 0.75"	8"	0.75" x 2"	2

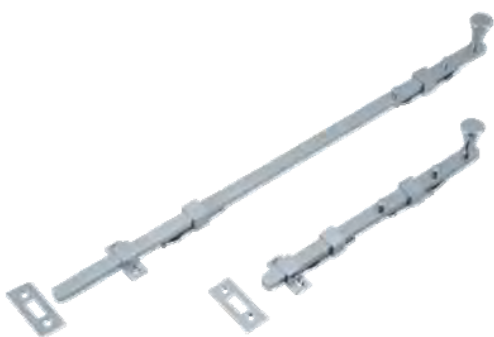
**Surface Bolt
No. HBD306**



Material: Brass
 Finishes: Available in standard architectural finishes
 Fastener: #8 x 1

No.	Bolt material	Bolt Length	Guides	Strike
HBD306-12	0.55 x 0.75	12"	0.65" x 1.89"	1.10" x 2.52"
HBD306-18	0.55 x 0.75	18"	0.65" x 1.89"	1.10" x 2.52"
HBD306-24	0.55 x 0.75	24"	0.65" x 1.89"	1.10" x 2.52"

**Surface Bolt
No. HBD307**



Material: Brass
 Finishes: Available in standard architectural finishes
 Fastener: #8 x 1

No.	Bolt material	Bolt Length	Guides	Strike
HBD307-12	0.55 x 0.75	12"	0.69" x 2.01"	1.10" x 2.52"
HBD307-18	0.55 x 0.75	18"	0.69" x 2.01"	1.10" x 2.52"
HBD307-24	0.55 x 0.75	24"	0.69" x 2.01"	1.10" x 2.52"

**Surface Bolt
No. HBD308**



Material: Solid Brass
 Finishes: Available in standard architectural finishes
 Fastener: #8 x 1 OH SMS
 8-32 x 3/8 OH SMS

Features: * 1" diameter knob
 *Supplied with universal and mortise strike

No.	Bolt material	Bolt Length	Guides
HBD308-4	0.625" half round	4"	1
HBD308-6	0.625" half round	6"	1
HBD308-8	0.625" half round	8"	2
HBD308-12	0.625" half round	12"	2
HBD308-18	0.625" half round	18"	3
HBD308-24	0.625" half round	24"	3
HBD308-36	0.625" half round	36"	4

**Surface Bolt
No. HBD309**



Material: Cast Brass
 Finishes: US3,US4,US5,US10B,US15,US26,US26D
 Fastener: #8 x 1 OH SMS

No.	Overall Size	Projection
HBD309-4	1.05" x 4"	1.05"
HBD309-6	2.53" x 6"	2.53"

**Surface Bolt
No. HBD310**



Material: Cast Zinc Alloy
 Finishes: US3, US15, US26, US26D
 Fastener: #6 x 3/4 OH SMS

No.	Overall Size
HBD310-3	0.95" x 3.57"
HBD310-4	0.95" x 4.82"

**Surface Bolt
No. HBD313**



Material: Brass
 Finishes: US3, US4, US5, US10B, US15, US26, US26D
 Fastener: #5 x 3/4 OH SMS

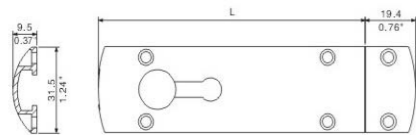
No.	Overall Size	Strike
HBD313-3	1" x 3"	1.25" x 2.75"
HBD 313-4	1" x 4"	1.25" x 2.75"

**Surface Bolt
No. HBD311**



Material: Cast Zinc Alloy
 Finishes: US3, US15, US26, US26D
 Fastener: #6 x 3/4 OH SMS

No.	Overall Size	Projection
HBD311-3	1.24 x 3.76"	0.37"
HBD311-4	1.24 x 4.76"	0.37"



**Surface Bolt
No. HBD314**



Material: Steel
 Finishes: White
 Fastener: #5 x 3/4 OH SMS

No.	Overall Size
HBD314-2	1.27" x 2.5"
HBD314-3	1.27" x 3.75"
HBD314-4	1.27" x 5"
HBD314-6	1.27" x 6.25"

**Surface Bolt
No. HBD312**



Material: Brass
 Finishes: US3, US4, US5, US10B, US15, US26, US26D
 Fastener: #5 x 3/4 OH SMS

No.	Overall Size
HBD312-2	1" x 2.55"
HBD312-3	1" x 3.55"
HBD312-4	1" x 4.55"
HBD303-6	1" x 6.55"

**Surface Bolt
No. HBD315**



Material: Steel
 Finishes: White
 Fastener: #5 x 3/4 OH SMS

No.	Overall Size
HBD315-3	1.27" x 3"
HBD315-4	1.27" x 4"

**Surface Bolt
No. HBD316**



Material: Steel
 Finishes: US3, US15, US26
 Fastener: #8 x 1 OH SMS

No.	Overall Size
HBD316-2	1.5" x 2.56"
HBD316-3	1.65" x 3.72"
HBD316-4	2.12" x 4.92"

**Surface Bolt
No. HBD318**



Material: Brass
 Finishes: Available in standard architectural finishes
 Fastener: #8 x 1 OH SMS

No.	Overall Size	Strike Size
HBD318-4	1.02" x 4"	0.75* x 1.5"
HBD318-6	1.26" x 6"	0.75* x 1.5"

**Surface Bolt
No. HBD317**



Material: Brass
 Finishes: Available in standard architectural finishes
 Fastener: #8 x 1 OH SMS

No.	Overall Size
HBD317-3"	1.25" x 3.8"
HBD317-4"	1.25" x 4.8"
HBD317-6"	1.25" x 6.8"
HBD317-8"	1.25" x 8.8"
HBD317-12"	1.25" x 12.8"

**Door Holders
No. HBD319**



Material: Solid Brass
 Finishes: Available in standard architectural finishes
 Fastener: #5 x 3/4 OH SMS

No.	Overall Size	Projection
HBD319-2	0.67" x 2"	0.63"
HBD319-3	0.67" x 3"	0.63"
HBD319-4	0.67" x 4"	0.63"
HBD319-6	0.67" x 6"	0.63"
HBD319-12	0.67" x 12"	0.63"

**Roller Catch with Cast Strike
No. HCE401**



Material: Cast Brass
 Finishes: Available in standard architectural finishes
 Fastener: #6 x 3/4 ; #8 x 1

Latch Face	Strike
1" x 3.41"	1.75" x 2.23"

**Roller Catch with Solid Strike
No. HCE402**



Material: Brass
 Finishes: Available in standard architectural finishes
 Fastener: #6 x 3/4; #8 x 1

Latch Face	Strike
1" x 3.41"	1.125" x 2.75"

**Adjustale Roller Catch
No. HCE403**



Material: Brass
 Finishes: Available in standard architectural finishes
 Fastener: #6 x 3/4

Latch	Strike
0.42" dia. X 0.4	0.89" x 1.14"

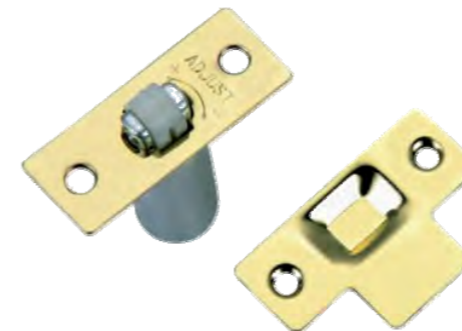
**Adjustale Roller
Catch No. HCE404**



Material: Steel
 Finishes: US3, US26, US26D
 Fastener: #6 x 3/4 OH SMS

Latch Face	Strike
0.75" x 1.79"	1.02" x 1.5"

**Adjustale Roller Catch
No. HCE405**



Material: Steel
 Finishes: US3, US26, US26D
 Fastener: #6 x 3/4 OH SMS

Latch Face	Strike
1" x 2.28"	1.42" x 2.26"

**Double Ball Catch
No. HCE406**



Material: Brass
 Finishes: Available in standard architectural finishes
 Fastener: #6 x 3/4 ; #8 x 1

Lenge
1 5/8"

**Door Guards
No. HGF501**



Material: Solid Cast Brass
 Finishes: Available in standard architectural finishes
 Fastener: 3 ea. #6 x 1 1/2 OH SMS
 4 ea. #6 x 3/4 OH SMS

Body Size	Rocker	Strike Size
1" x 2.58"	3.90"	1.67" x 2.09"

**Door Guards
No. HGF504**



Material: Cast Zinc Alloy
 Finishes: US3, US5, US15, US26, US26D
 Fastener: #6 x 3/4 OH SMS

Body Size	Rocker	Strike Size

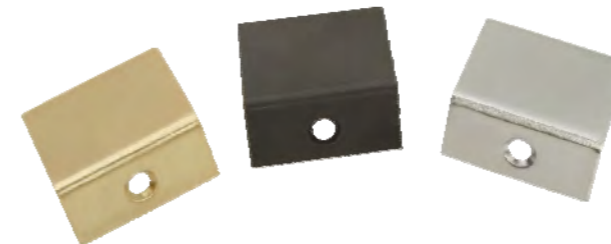
**Door Guards
No. HGF502**



Material: Solid Cast Brass
 Finishes: Available in standard architectural finishes
 Fastener: 3 ea. #6 x 1 1/2 OH SMS
 4 ea. #6 x 3/4 OH SMS

Body Size	Rocker	Strike Size
1" x 2.58"	4.56"	1.67" x 2.10"

**Door Guard Protection Plates
No. HGF505**



Material: Brass
 Finishes: Available in standard architectural finishes
 Fastener: #6 x 5/8 FHSMS
 Features: Protects corner of door from damage by door guard arm

Size
1.125" x 1" x 0.05" return

**Door Guards
No. HGF503B, HGF503D**



Material: Solid Cast Brass
 Finishes: Available in standard architectural finishes
 Fastener: 3 ea. #6 x 1 1/2 OH SMS
 4 ea. #6 x 3/4 OH SMS

No.	Body Size	Rocker	Strike Size
HGF503B	1.06" x 2.56"	4.56"	1.06" x 1.06"
HGF503D	1.06" x 2.56"	4.56"	1.06" x 1.06"

**Letter Plate
No. HAG601**

Material: Cast Brass
Finishes: Available in standard architectural finishes



Outside Plate	Inside Plate
10"X3"	7.5"X1.6"

**Letter Plate
No.HAG604**

Material: Cast Brass
Finishes: Available in standard architectural finishes



Face Plate	Back Flat
10"X3"	7.48"X1.59"

**Letter Plate
No.HAG602**

Material: Cast Brass
Finishes: Available in standard architectural finishes



Outside Plate	Inside Plate
10"X4"	8"X2"

**Letter Plate
No.HAG605**

Material: Brass
Finishes: Available in standard architectural finishes



Face Plate	Back Flat
9.76"X3.05"	10"X3"

**Letter Plate
No. HAG603**

Material:Aluminium
Finishes: US28



Face Plate	Back Flat
10.16"X2.66"	10"x3.07"

**Lock Casement Fastener
No. HAG606**



Material: Cast Zinc Alloy
Finishes: US3, US26, US26D, WHITE

Overall Size	Guides	Projection
5.63"	1.5"x0.75"	1.14"

**Casement Stay
No. HAG609**



Material: Cast Brass
Finishes: US3, US4, US5, US10B, US15, US26, US26D

Overall Size	Base
1.81" x 10.83"	0.51" x 1.38"

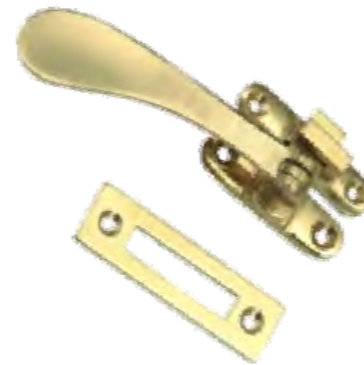
**Lock Casement Fastener
No. HAG607**



Material: Cast Zinc Alloy
Finishes: US3, US26, US26D, WHITE

Overall Size	Handle	Projection
5.98"	0.51" x 5.08"	1.93"

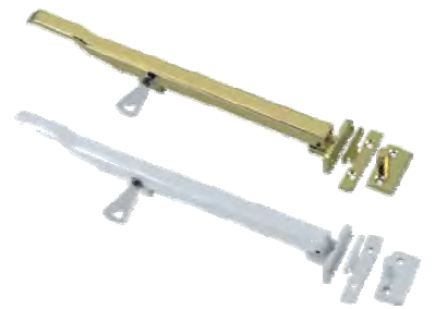
**Casement Fastener
No. HAG610**



Material: Brass
Finishes: Available in standard architectural finishes

Overall Size	Handle	Guide
2.05" X 4.51"	1.12" X 3.66"	0.77" x 2.54"

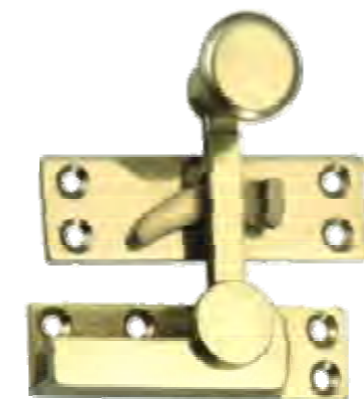
**Lock Casement Fastener
No. HAG608**



Material: Cast Zinc Alloy
Finishes: US3, US26, US26D, WHITE

Overall Size	Base	Projection
10.55"	0.73" x 1.50"	1.04"

**Casement Fastener
No. HAG611**



Material: Brass
Finishes: Available in standard architectural finishes

Overall Size
2.60" X 1.50"

**Sash Fastener
No. HAG612**



Material: Cast Zinc Alloy
 Finishes: US3, US26
 Fastener: #6 x 3/4 OH SMS

**Door Knocker
No. HAG615**



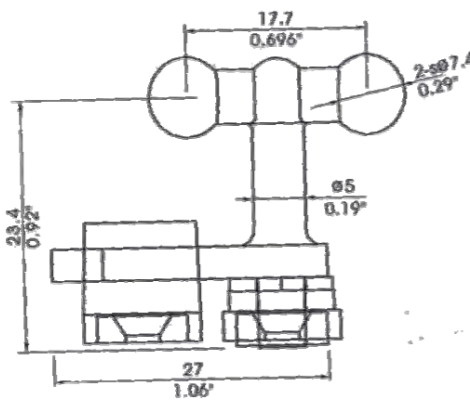
Material: Cast Brass
 Finishes: US3, US4, US5, US10B, US15, US26, US26D

Overall Size
 2.20" x 6.05"

**Showcase Fastener
No. HAG613**



Material: Cast Brass
 Finishes: US3, US26
 Fastener: #6 x 3/4 OH SMS



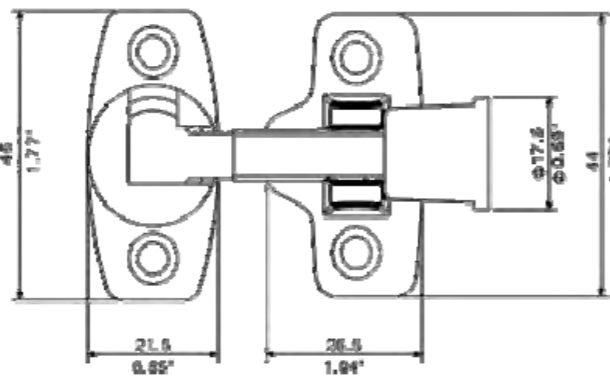
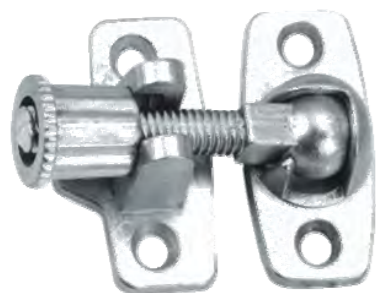
**Door Knocker
No. HAG616**



Material: Cast Zinc Alloy
 Finishes: US3, US26

Overall Size
 2.54" x 6.50"

**Sash Fastener
No. HAG614**



Material: Cast Zinc Alloy
 Finishes: Zinc plate
 Fastener: #6 x 3/4 OH SMS

**Cabin Hook
No. HAG617**



Material: Cast Brass
 Finishes: Available in standard architectural finishes
 Fastener: #8 x 1 OH SMS

No.	Overall Size	Hook Size	Cleats Size
HAG617-B	5.53"	4.53"	1.47"x1"
HAG617-D	5.33"	4.33"	1.47"x1"
HAG617-E	4.15"	3.15"	1.47"x1"
HAG617-F	3"	2"	1.47"x1"

**Cabin Hook
No. HAG618**



Material: Cast Zinc Alloy
 Finishes: US3,US26
 Fastener: #8 x 1 OH SMS

No.	Overall Size	Hook Size	Cleats Size
HAG618-A	3.7"	2.58"	1.12"x1.12"
HAG618-C	4.23"	3.11"	1.12"x1.12"

**Coat & Hat Hooks
No. HAG619**



Material: Cast Zinc Alloy
 Finishes: US3, US26
 Fastener: #6 x 3/4 OH SMS

Overall Size	Projection
1.23" X 1.50"	1.63"

**Coat & Hat Hooks
No. HAG620**



Material: Cast Zinc Alloy
 Finishes: US3, US26
 Fastener: #6 x 3/4 OH SMS

Overall Size	Projection
3.0" X 3.93"	2.92"

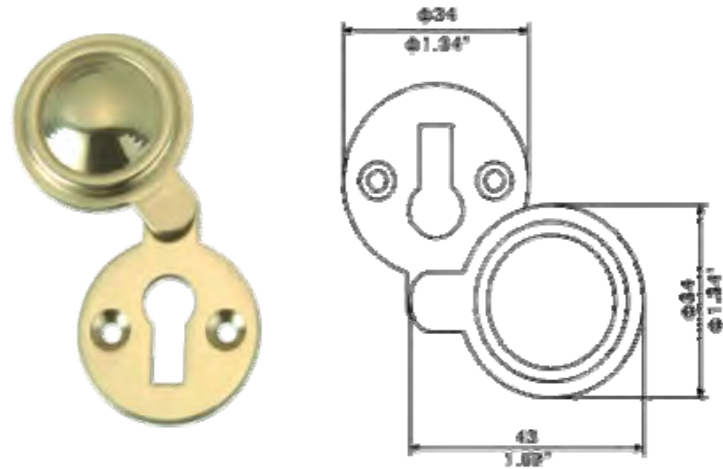
**Coat & Hat Hook
No. HAG621**



Material: Cast Zinc Alloy
 Finishes: US3, US26
 Fastener: #6 x 3/4 OH SMS

Overall Size	Projection
1.19" X 3.16"	1.48"

**Covered Escutcheon
No. HAG622**



Material: Cast Brass
 Finishes: US3, US26
 Fastener: #6 x 3/4 OH SMS

**Dust Proof Strike
No. HAG623**



Material: Solid Brass
 Finishes: Available in standard architectural finishes
 2 ea. #8 x 1 OH SMS, 2 ea. Plastic Anchors;
 2 ea. 8-32 x 3/4 OH MS, 2 ea. Lead Anchors

Face Plate	Barrel
1.38" x 2.87" x 0.19"	0.93" dia. x 2" depth

**Spring Door Closer
No. HAG624**



Material: Cast Zinc Alloy
 Finishes: US3, US15, US26, WHIT, BLACK

Overall Size
1.01" x 4.47"

**Door Number
No. HAG625 A-Z**



Material: Cast Brass
 Finishes: Available in standard architectural finishes
 Fastener: #5 x 3/4 OH SMS

No.	Size
HAG625 A-Z	4"

**Door Number
No. HAG626**



Material: Cast Brass
 Finishes: Available in standard architectural finishes
 Fastener: #5 x 3/4 OH SMS

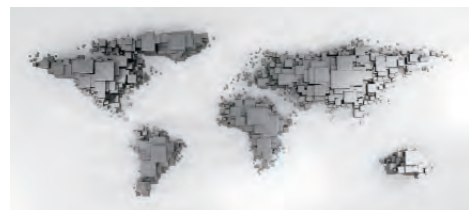
No.	Size
HAG606 0-9	4"

COMPANY PROFILE

Your most trusted partner



30 years
Experience



Hardwood is an innovative and professional company engaged in research, development, design and manufacturing of Locksets, fittings, sliding door system and numerous architectural hardware. The founder and core members have over 30 years' experience in door control industry. Our vision is to be the expert on functional and decorative security products and accessories. We believe true value can only be created by continuous dedication. Hardwood aims always to be your most reliable partner in supplying locksets and architectural hardware.

DESIGN & DEVELOPMENT

Continuous innovation and continuous development

Hardwood management team recognizes and deeply understand innovation and continuous improvement are key driven force for the company. We keep investing in R&D activities and have clearly defined growing annual budget for it. Engineers are using modern software, such as Solidworks and Creo to design internal structure and esthetic appearance.

We keep following new trends, products and techniques in the door control industry. Every quarter Hardwood has regular seminar on new products / trends and each year we set a plan to launch numerous new products.



PRODUCTION & INSPECTION EQUIPMENT

Quality production, strict quality control



Not only we invest heavily in R&D activities but Hardwood also deeply understand design should be perfectly matched with most advanced manufacturing techniques. We design critical parts toolings fully in house and we have invested such as AgieCharmilles machining centers. To control the quality of the manufacturing parts Hardwood also invests CMM and other projector measurement devices to inspect and verify critical tolerances. We understand the creativity sparked by R&D staff plus over years' experience in manufacturing will contribute to the novelty, quality and cost effectiveness of our product.



CERTIFICATE

Your most trusted partner

The factory manufacturing is under ISO 9001 quality management system. Numerous products have passed UL certification.





CASE PRESENTATION

Your most trusted partner

Our products are widely used in hospitals, schools, business centers, airports, government agencies, hotels, libraries, art galleries, bathrooms, dormitories, bedrooms, and so on

- Ningbo Wisdom Garden
- Hangzhou Bay New Zone
- Zhejiang Cargo Warehouse
- Zhejiang Women And Children Hospital

- Zhejiang Medical University
- Ningbo Zhenhai District Library
- Zhejiang Btower Commercial Center
- Zhejiang Liangzhu Art Museum

