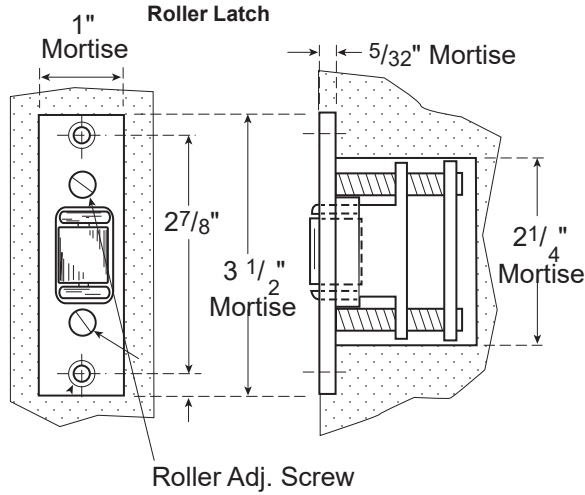
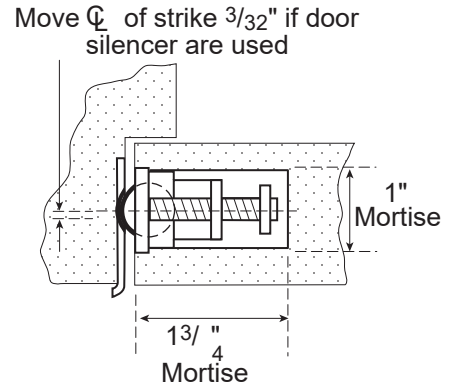


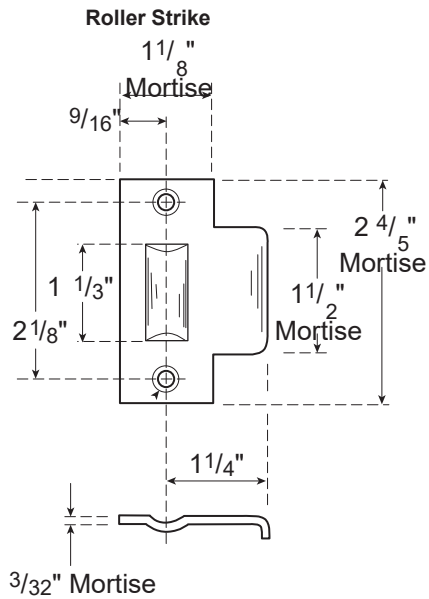
Roller Latch



Section Thru Door



NOTE: Mortise dim's used only on wood doors.



Material: Brass
 Finishes: US3/US10B/US15/US26D
 ANSI: A156.16