

Hardwood Door Control Tech (Ningbo) Co., Ltd.

>>>

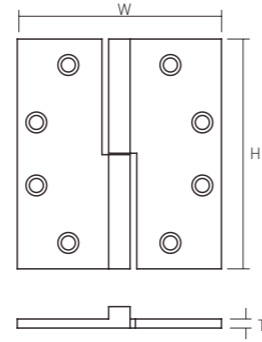
>>>Hinge

>>>Overhead Stops&Holders



HARDWOOD® SQUARE HINGE

2K-454045-L21/2K-454545-L21



US32D US32
US10B US26D Zinc&Nickle Plating

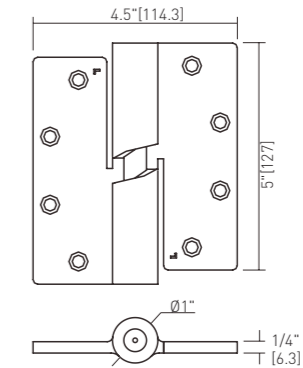
Model#	Dimension(HxWxT)	Door Weight	Material		
2K-454045-L21	4.5"x4.0"x4.5mm	150lbs	Stainless steel	Brass	Carbon steel
2K-454545-L21	4.5"x4.5"x4.5mm	150lbs			

CAM LIFT HINGE HARDWOOD®

H1-504563-L11

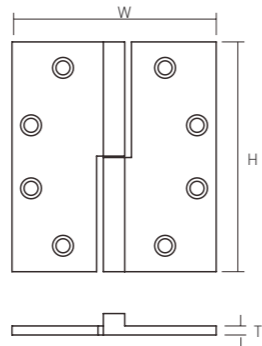


US32D US32



Model#	Lift(180°opening)	Door Weight	Material
H1-504563-L11	5/16"[8]	500lbs	Stainless Steel

2K-454045-R22/2K-454545-R22



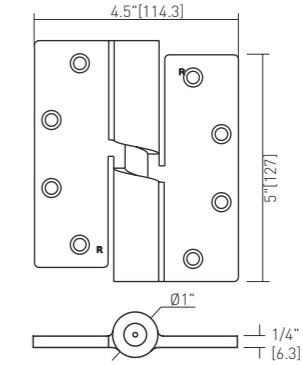
US32D US32
US10B US26D Zinc&Nickle Plating

Model#	Dimension(HxWxT)	Door Weight	Material		
2K-454045-R22	4.5"x4.0"x4.5mm	150lbs	Stainless steel	Brass	Carbon steel
2K-454545-R22	4.5"x4.5"x4.5mm	150lbs			

H1-504563-R21

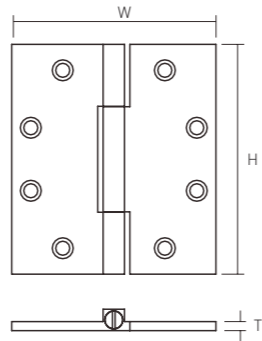


US32D US32



Model#	Lift(180°opening)	Door Weight	Material
H1-504563-R21	5/16"[8]	500lbs	Stainless Steel

3K-454045/3K-454545



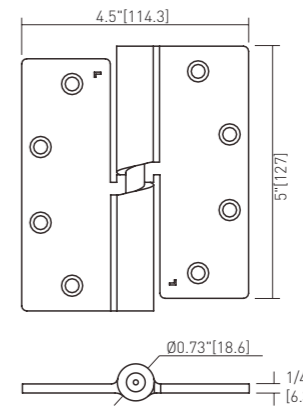
US32D US32
US10B US26D Zinc&Nickle Plating

Model#	Dimension(HxWxT)	Door Weight	Material		
3K-454045	4.5"x4.0"x4.5mm	150lbs	Stainless steel	Brass	Carbon steel
3K-454545	4.5"x4.5"x4.5mm	150lbs			

H1-504546-L11



US32D US32

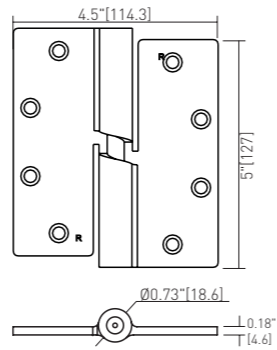


Model#	Lift(180°opening)	Door Weight	Material
H1-504546-L11	5/16"[8]	500lbs	Stainless Steel

H1-504546-R21



US32D ■ US32 ■

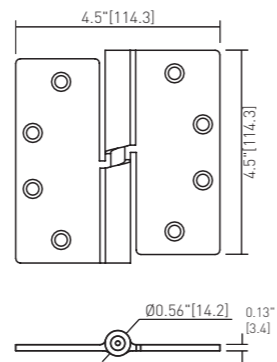


Model#	Lift(180°opening)	Door Weight	Material
H1-504546-R21	1/4" [6.3]	300lbs	Stainless Steel

H1-454534-L11



US32D ■ US32 ■

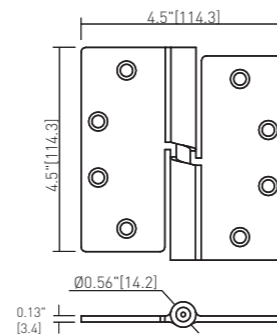


Model#	Lift(180°opening)	Door Weight	Material
H1-454534-L11	3/16" [4.8]	200lbs	Stainless Steel

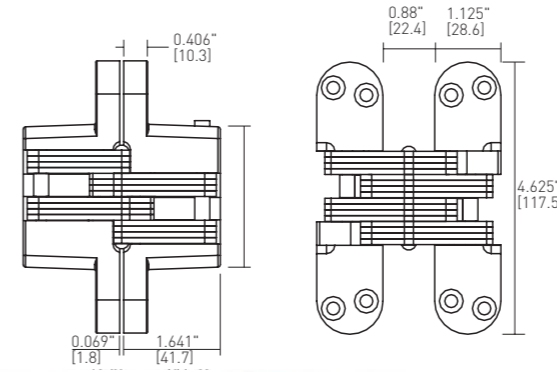
H1-454534-R21



US32D ■ US32 ■



Model#	Lift(180°opening)	Door Weight	Material
H1-454534-R21	3/16" [4.8]	200lbs	Stainless Steel



H2-011A

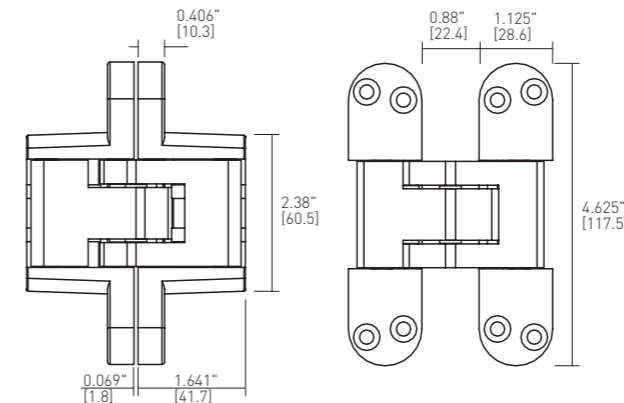
US32D ■ US32 ■



H2-011B

US32D ■ US32 ■

Model#	Door Weight	Material
H2-011A	600lbs	Stainless Steel
H2-011B	600lbs	Stainless Steel Nylon



H2-021A

US32D ■ US32 ■

Model#	Door Weight	Material
H2-021A	600lbs	Stainless Steel

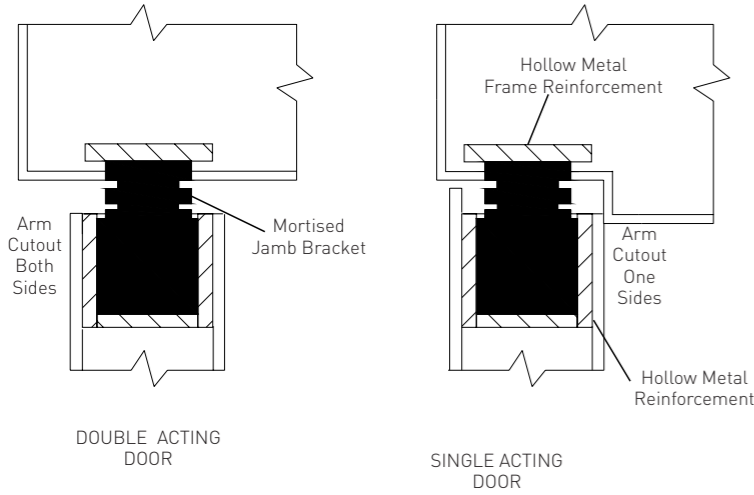
OVS100X-M/OVH100X-M



PRODUCT DESCRIPTION

- Heavy duty
- Concealed mount
- Stop or hold open function
- Interior or exterior doors
- Single or double acting doors
- Non-handed
- 110°maximum opening
- 1-3/4" minimum door thickness

US32D 
US26D 



Butts Offset Pivots	Center Hung Pivots	Model Number	
		H.O.	Stop
33-1/16-38	36-1/16-41	OVH100X-M	OVS100X-M

ANSI No.		
Shipping Weight	H.O.	Stop
4.5 lbs	C01511	C01541

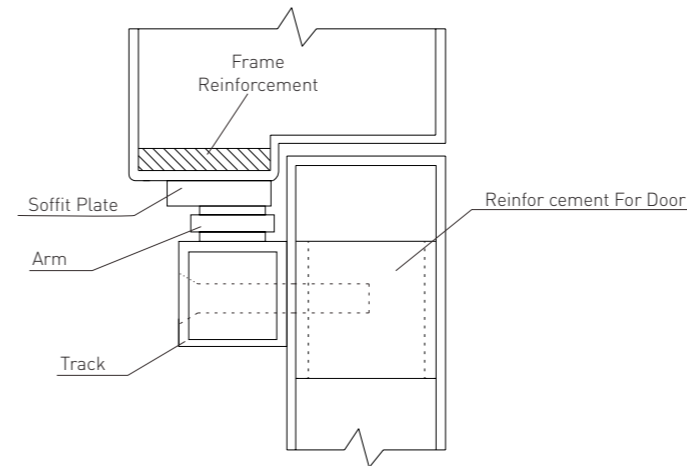
OVS900X-M/OVH900X-M



PRODUCT DESCRIPTION

- Heavy duty
- Surface mount
- Stop or hold open function
- Interior or exterior doors
- Single or double acting doors
- Non-handed
- 110°maximum opening
- 1-3/4" minimum door thickness

US32D 
US26D 



Butts Offset Pivots	Center Hung Pivots	Model Number	
		H.O.	Stop
33-1/16-38	36-1/16-41	OVH900X-M	OVS900X-M



ANSI No.		
Shipping Weight	H.O.	Stop
4.5 lbs	C02511	C02541

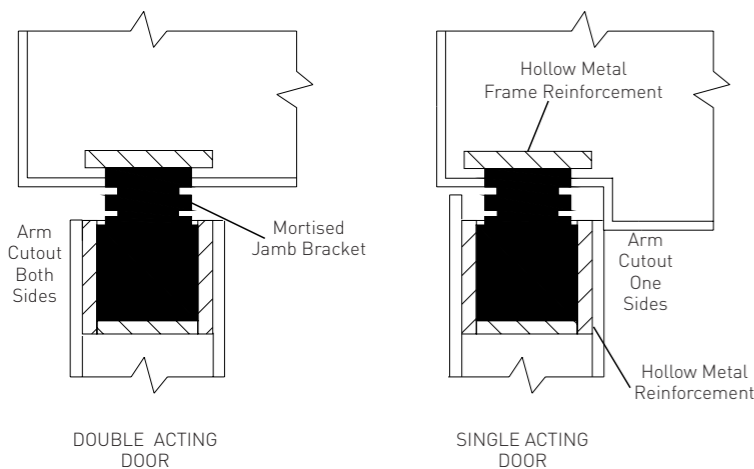
OVS200X-M/OVH200X-M



PRODUCT DESCRIPTION

- Medium duty
- Concealed mount
- Stop function
- Interior door
- Single or double acting doors
- Non-handed
- 110°maximum opening
- 1-3/4" minimum door thickness

US32D 
US26D 



Butts Offset Pivots	Center Hung Pivots	Model Number	
		H.O.	Stop
33-1/16-38	36-1/16-38-1/2	OVH200X-M	OVS200X-M

ANSI No.		
Shipping Weight	H.O.	Stop
3.5 lbs	C04512	C04542

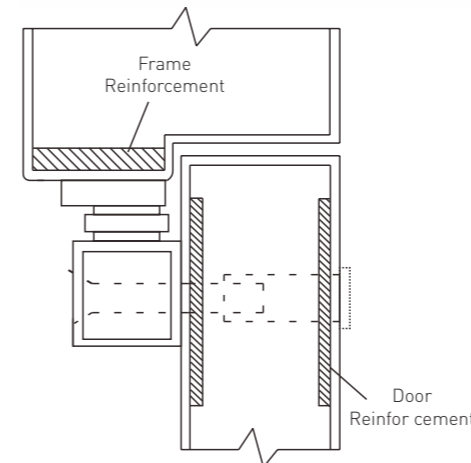
OVS1000X-M/OVH1000X-M



PRODUCT DESCRIPTION

- Medium duty
- Surface mount
- Stop function
- Interior or exterior doors
- Single or double acting doors
- Non-handed
- 110°maximum opening
- 1-3/4" minimum door thickness

US32D 
US26D 



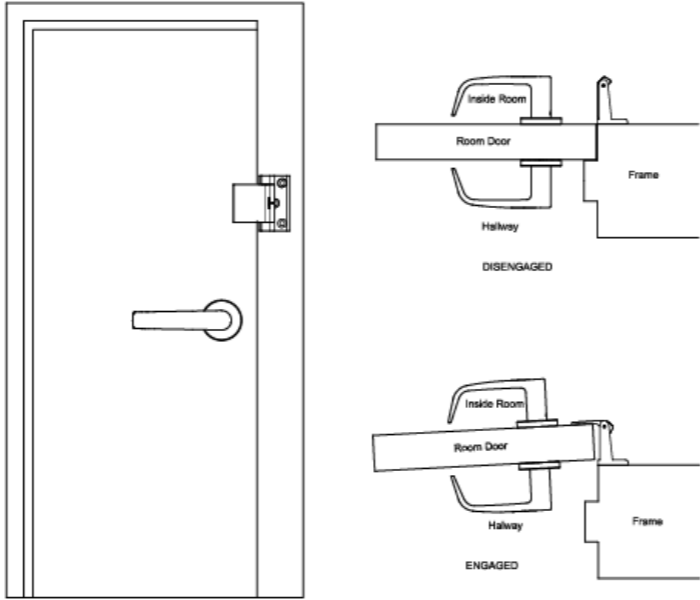
Butts Offset Pivots	Center Hung Pivots	Model Number	
		H.O.	Stop
33-1/16-38	36-1/16-41	OVH1000X-M	OVS1000X-M

ANSI No.		
Shipping Weight	H.O.	Stop
3.5 lbs	C05511	C05541

HARDWOOD® PRIVACY DOOR LATCH

Installation Instructions

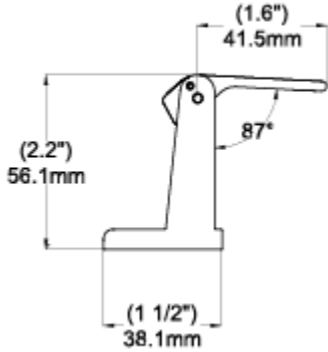
1. Determine mounting height
2. Apply the mounting template sticker to the frame at mounting height
3. Center punch and drill 5/32" pilot holes where indicated
4. Mount the latch on the door frame (on top of the template) with the fasteners provided
5. Check product performance by extending the PDL after the door is closed
6. Close the door and push the PDL to the disengaged position. The door should open freely



Finishes Available



Product Function



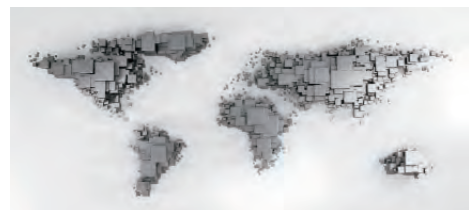
- .Simple to operate
- .ADA compliant
- .Enhanced in-room privacy
- .Cannot be used to keep door ajar
- .Small footprint
- .Easy to install

COMPANY PROFILE

Your most trusted partner



30 years
Experience



Hardwood is an innovative and professional company engaged in research, development, design and manufacturing of Locksets, fittings, sliding door system and numerous architectural hardware. The founder and core members have over 30 years' experience in door control industry. Our vision is to be the expert on functional and decorative security products and accessories. We believe true value can only be created by continuous dedication. Hardwood aims always to be your most reliable partner in supplying locksets and architectural hardware.

DESIGN & DEVELOPMENT

Continuous innovation and continuous development

Hardwood management team recognizes and deeply understand innovation and continuous improvement are key driven force for the company. We keep investing in R&D activities and have clearly defined growing annual budget for it. Engineers are using modern software, such as Solidworks and Creo to design internal structure and esthetic appearance.

We keep following new trends, products and techniques in the door control industry. Every quarter Hardwood has regular seminar on new products / trends and each year we set a plan to launch numerous new products.



PRODUCTION & INSPECTION EQUIPMENT

Quality production, strict quality control



Not only we invest heavily in R&D activities but Hardwood also deeply understand design should be perfectly matched with most advanced manufacturing techniques. We design critical parts toolings fully in house and we have invested such as AgieCharmilles machining centers. To control the quality of the manufacturing parts Hardwood also invests CMM and other projector measurement devices to inspect and verify critical tolerances. We understand the creativity sparked by R&D staff plus over years' experience in manufacturing will contribute to the novelty, quality and cost effectiveness of our product.



CERTIFICATE

Your most trusted partner

The factory manufacturing is under ISO 9001 quality management system. Numerous products have passed UL certification.





CASE PRESENTATION

Your most trusted partner

Our products are widely used in hospitals, schools, business centers, airports, government agencies, hotels, libraries, art galleries, bathrooms, dormitories, bedrooms, and so on

- Ningbo Wisdom Garden
- Hangzhou Bay New Zone
- Zhejiang Cargo Warehouse
- Zhejiang Women And Children Hospital

- Zhejiang Medical University
- Ningbo Zhenhai District Library
- Zhejiang Btower Commercial Center
- Zhejiang Liangzhu Art Museum

